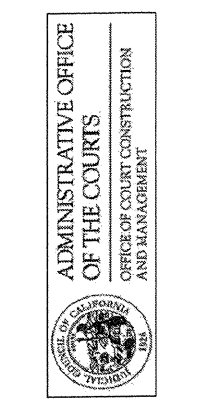
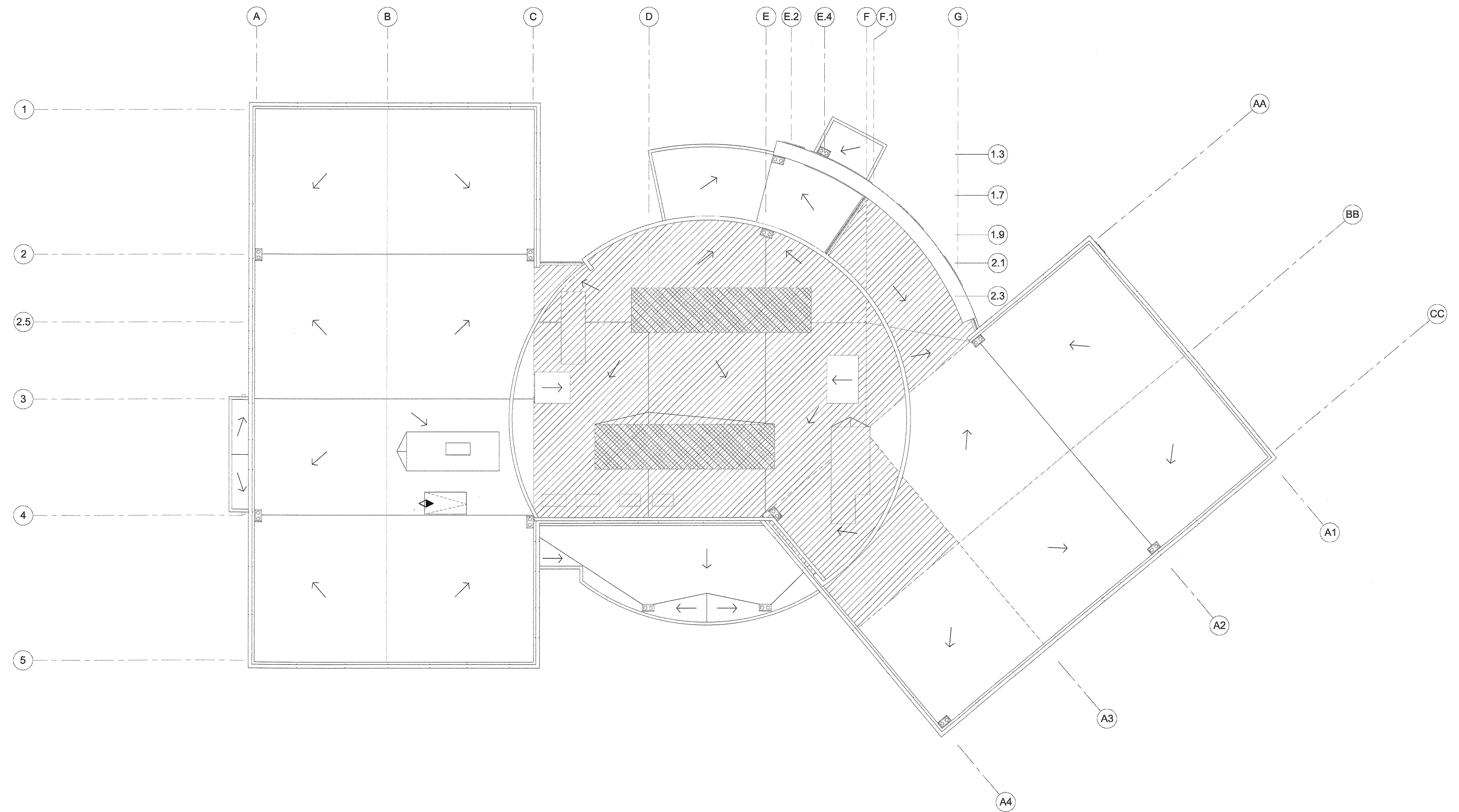


ALL IDEAS, DESIGN, ARRANGEMENTS AND PLANS INDICATED OR REPRESENTED BY THIS DRAWING ARE OWNED BY, AND THE PROPERTY OF CARRIER JOHNSON, AND WERE CREATED, EVOLVED AND DEVELOPED FOR USE ON, AND IN CONNECTION WITH THIS PROJECT. NONE OF SUCH IDEAS, DESIGN, ARRANGEMENTS, OR PLANS SHALL BE USED BY, OR DISCLOSED TO ANY PERSON, FIRM, OR CORPORATION FOR ANY PURPOSE WHATSOEVER WITHOUT THE WRITTEN PERMISSION OF CARRIER JOHNSON. FILING THESE DRAWINGS OR SPECIFICATIONS WITH ANY PUBLIC AGENCY IS NOT A PUBLICATION OF SAME. NO COPYING, REPRODUCTION OR USE THEREOF IS PERMISSIBLE WITHOUT THE CONSENT OF CARRIER JOHNSON.



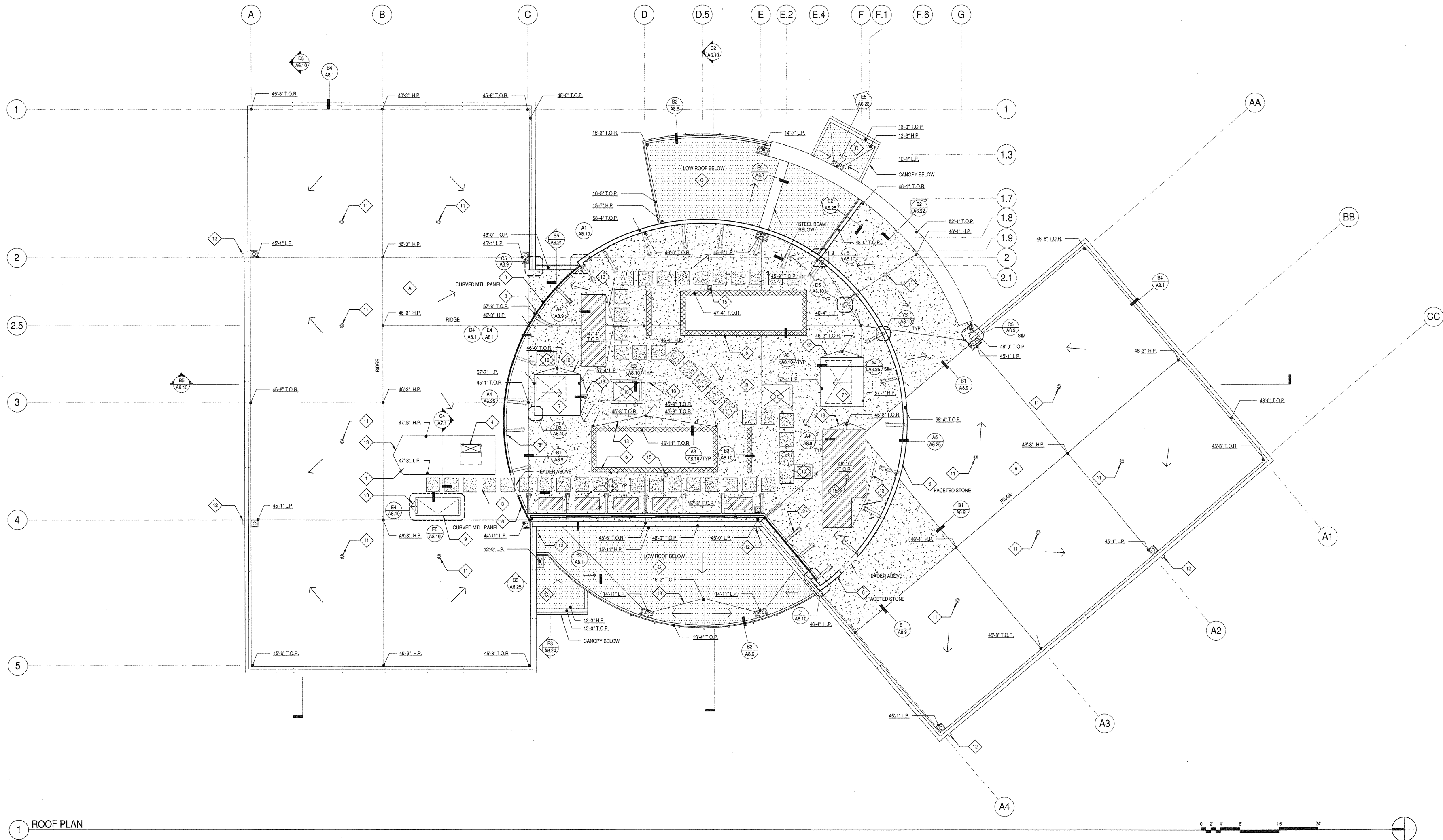
02-09-07 50% CD SUBMITTAL
 ISSUES:

PROJECT NO: _____
 FILENAME: _____
 DRAWN BY: _____ CHECKED BY: _____
 PLOT DATE: 2-09-07
 TITLE: _____

**SECURITY
 ROOF LEVEL
 PLAN**

DRAWING NO:
ES 2.4

ALL IDEAS, DESIGN ARRANGEMENTS AND PLANS INDICATED OR REPRESENTED BY THIS DRAWING ARE OWNED BY AND THE PROPERTY OF CARRIER JOHNSON AND WERE CREATED, EVOLVED AND DEVELOPED FOR USE ON, AND IN CONNECTION WITH THIS PROJECT. NONE OF SUCH IDEAS, DESIGN ARRANGEMENTS, OR PLANS SHALL BE USED BY OR DISCLOSED TO ANY PERSON, FIRM, OR CORPORATION FOR ANY PURPOSE WHATSOEVER WITHOUT THE WRITTEN PERMISSION OF CARRIER JOHNSON. FILING THESE DRAWINGS OR SPECIFICATIONS WITH ANY PUBLIC AGENCY IS NOT A PUBLICATION OF SAME. NO COPYING, REPRODUCTION OR USE THEREOF IS PERMISSIBLE WITHOUT THE CONSENT OF CARRIER JOHNSON.

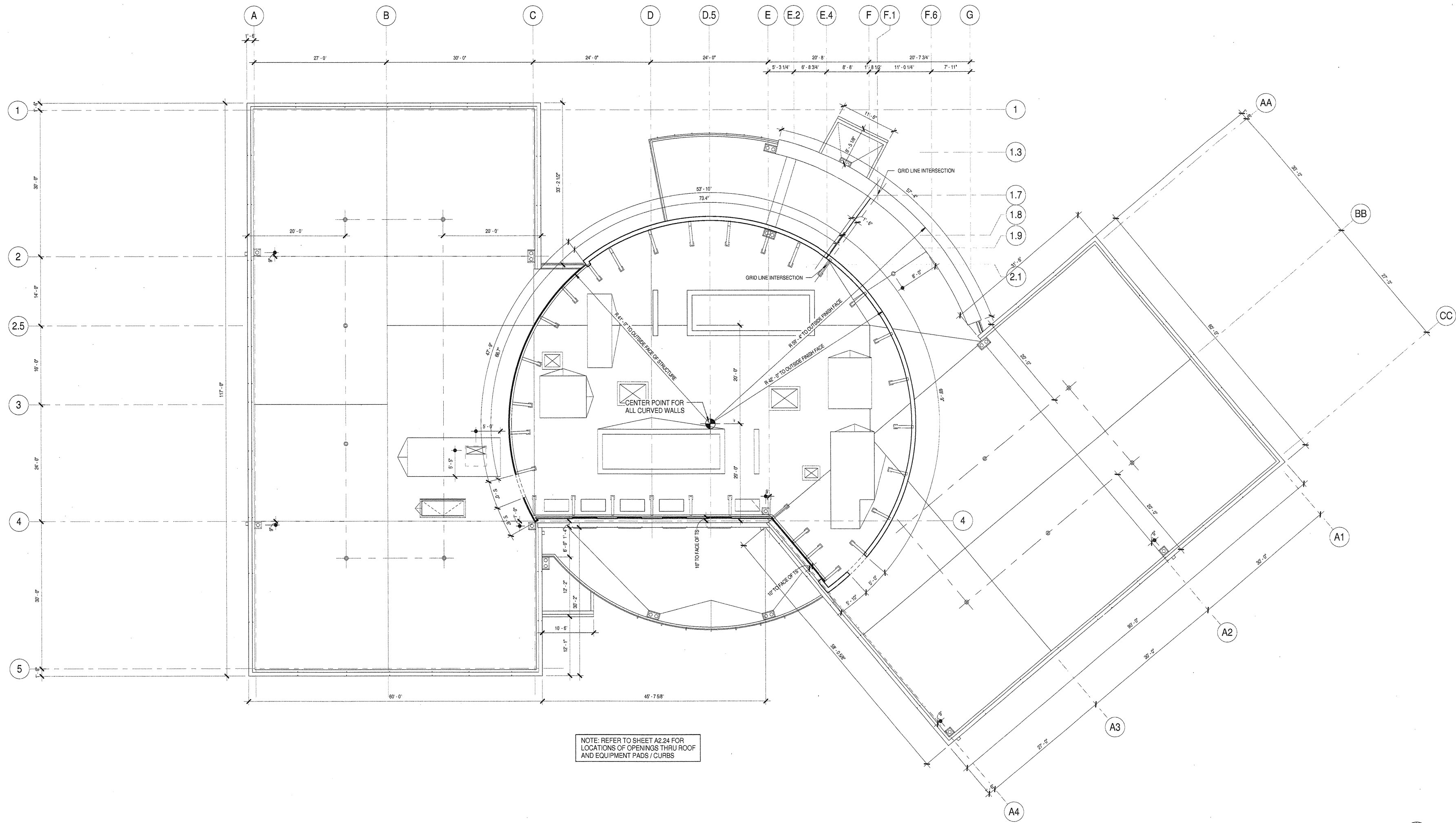


1 ROOF PLAN



ROOF PLAN GENERAL NOTES	ROOF PLAN KEYNOTES	ROOF PLAN LEGEND	ROOF ASSEMBLY TYPES
1. TYPICAL ROOF SLOPE IS 1/4 PER 12" MINIMUM U.O.N.	1. ELEVATOR OVERRUN	1. ROOF DRAIN AND OVERFLOW (SEE DETAIL B4/A8.10)	ROOF ASSEMBLY A (SEE DETAIL A5/A8.10) BUILT UP ROOFING OVER 1/2" PERLITE COVER BOARD 5" RIGID INSULATION OVER 1-1/2" METAL DECK (R-30 ASSEMBLY)
2. TYPICAL TOP OF PARAPET HEIGHT IS +48'-0" U.O.N.	2. GALVANIZED TS BRACE PER STRUCTURAL DRAWINGS	2. ROOF DRAIN - ADJACENT SCUPPER PROVIDES OVERFLOW DRAINAGE (SEE DETAIL A4/A8.10 FOR TYPE A ROOF AND B4/A8.9 FOR TYPE B ROOF)	ROOF ASSEMBLY B (SEE DETAIL B5/A8.10) BUILT UP ROOFING OVER 1/2" PERLITE COVER BOARD 4 1/2" NORMAL WEIGHT CONCRETE OVER VENTED 3" METAL DECK (R-30 BATT INSULATION HUNG UNDER METAL DECK)
3. CONTRACTOR SHALL VERIFY LOCATIONS AND COORDINATE SIZES FOR ALL ROOF OPENINGS, CURBS, CONCRETE PADS, AND ATTACHMENT REQUIREMENTS W/ MANUFACTURER FOR ACTUAL MECHANICAL EQUIPMENT SUBMITTED.	3. WALKWAY PAD - 32" SQ. (SEE SPEC SEC 075216, 2.7)	3. DIRECTION OF SLOPE	ROOF ASSEMBLY C (SEE DETAIL C5/A8.10) DECORATIVE GRAVEL BALLAST OVER BUILT UP ROOFING OVER 1 1/2" PERLITE BOARD 1 1/2" METAL DECK (R-30 BATT INSULATION HUNG UNDER METAL DECK)
4. ALL ROOF FLASHINGS SHALL CONFORM TO SMACNA AND NRCA STANDARDS.	4. ELEVATOR HOISTWAY VENT (VENT SIZE = 3-1/2% OF HOISTWAY AREA OR 3 SF MIN.) REFER TO MECH. DETAIL 09/M5.1	4. TIEBACK (SEE DETAIL D4/A8.10 FOR FLASHING)	
	5. CONCRETE CURB FOR V.A.V. UNIT WITH VIBRATION ISOLATORS PER MECH PLANS	5. RAISED CONCRETE PAD FOR MECHANICAL EQUIPMENT (SEE DETAILS --- FOR FLASHING)	
	6. MECHANICAL ROOF SCREEN (SEE WALL SECTION A5/A6.23 @ STONE, E3/A6.22 @ METAL PANEL)	6. CONCRETE CURB FOR MECH EQUIP. (SEE DETAILS A3/A8.10, B3/A8.10 FOR FLASHING)	
	7. SHAFT EXTENSION ON ROOF - DASHED LINE INDICATES SHAFT OPENING BELOW	7. T.O.R. = TOP OF ROOFING 7" ABOVE STRUCTURE FOR TYPE A 8" ABOVE STRUCTURE FOR TYPE B 3" ABOVE STRUCTURE FOR TYPE C T.O.P. = TOP OF PARAPET H.P. = HIGH POINT L.P. = LOW POINT	
	8. PROPOSED LOCATION OF OFCI SATELLITE DISH ARRAY		
	9. ROOF ACCESS HATCH W/ INTEGRAL SAFETY RAILING (SEE DETAIL E5/A8.10)		
	10. HVAC DUCT ROOF PENETRATION (SEE DETAIL E3/A8.10 FOR FLASHING)		
	11. TIEBACK ANCHORED TO STRUCTURE BELOW, VERIFY TIEBACK ALIGNS WITH STRUCTURE BELOW (SEE DETAILS D4/A8.10, 13/S7.6, AND 14/S7.6)		
	12. METAL SCUPPER (REF. DETAIL A4/A8.10)		
	13. CRICKET		
	14. REFRIGERANT PIPING THRU ROOF (SEE DETAIL C4/A8.10 AND MECHANICAL PLANS DETAIL 03/M5.3)		
	15. ROOF RECEPTOR FOR CONDENSATE (SEE DETAIL A2/A8.9 FOR AND PLUMBING PLANS)		
	16. REFER TO MECHANICAL PLANS FOR DUCTWORK AND SUPPORTS AT ROOFTOP (SEE DETAIL A3/A8.9)		

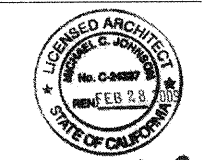
ALL IDEAS, DESIGN, ARRANGEMENTS AND PLANS INDICATED OR REPRESENTED BY THIS DRAWING ARE OWNED BY AND THE PROPERTY OF CARRIER JOHNSON AND WERE CREATED, EVOLVED AND DEVELOPED FOR USE ON AND IN CONNECTION WITH THIS PROJECT. NONE OF SUCH IDEAS, DESIGN, ARRANGEMENTS, OR PLANS SHALL BE USED BY OR DISCLOSED TO ANY PERSON, FIRM, OR CORPORATION FOR ANY PURPOSE WHATSOEVER WITHOUT THE WRITTEN PERMISSION OF CARRIER JOHNSON. FILING THESE DRAWINGS OR SPECIFICATIONS WITH ANY PUBLIC AGENCY IS NOT A PUBLICATION OF SAME. NO COPYING, REPRODUCTION OR USE THEREOF IS PERMISSIBLE WITHOUT THE CONSENT OF CARRIER JOHNSON.



1 ROOF DIMENSION PLAN

DIMENSION PLAN GENERAL NOTES

1. ALL DIMENSIONS ARE TO FINISH FACE, CENTER OF WALL, COLUMN GRID LINES, OR FACE OF CONCRETE AND CMU WALLS (NOMINAL), U.O.N. WINDOW AND DOOR LOCATIONS ARE DIMENSIONED TO ROUGH OPENING. ALL "HOLD" OR "CLR" DIMENSIONS MUST BE MAINTAINED.
2. ALL DOORS, HINGE SIDE, SHALL BE LOCATED 4" FROM ADJACENT PERPENDICULAR WALL, U.O.N.



Mill John
PROJECT NO:
4610.10
FILE NAME:
P:\4610.10\Rev\4610_central.rvt
DRAWN BY: CHECKED BY:

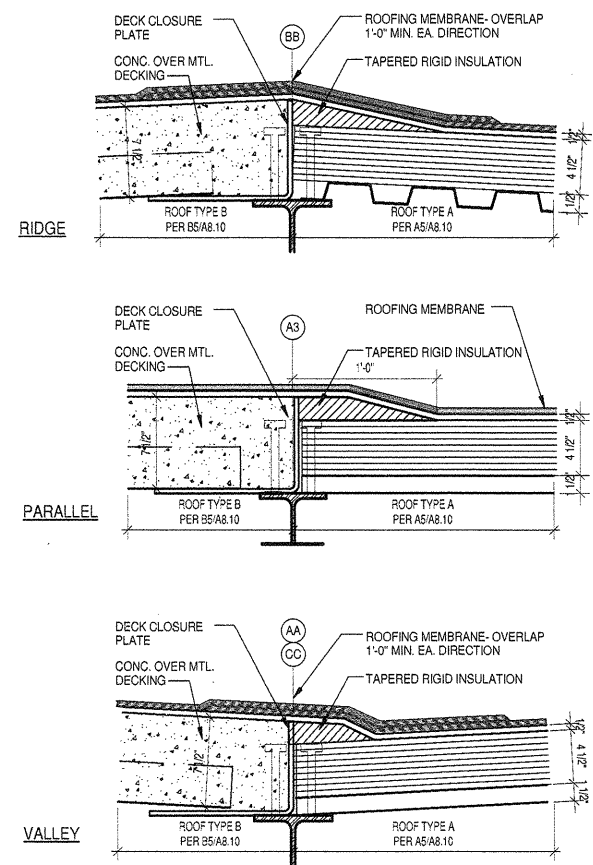
PLOT DATE:
TITLE:

ROOF
DIMENSION
PLAN

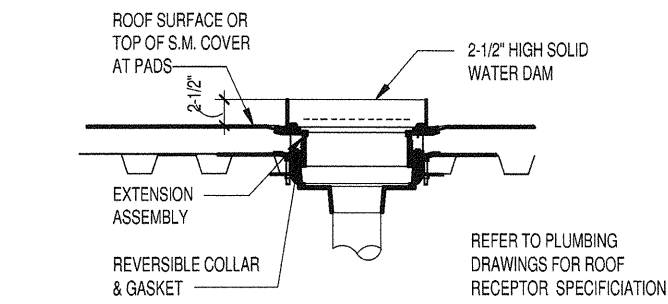
DRAWING NO:

A2.14

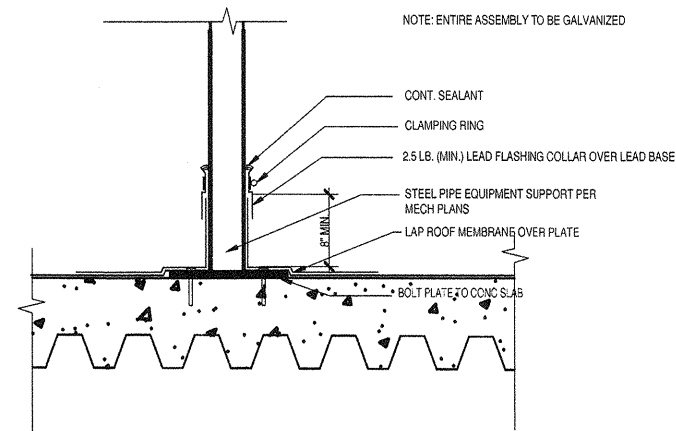
ALL IDEAS, DESIGN ARRANGEMENTS AND PLANS INDICATED OR REPRESENTED BY THIS DRAWING ARE OWNED BY, AND THE PROPERTY OF CARRIER JOHNSON AND WERE CREATED, EVOLVED AND DEVELOPED FOR USE ON, AND IN CONNECTION WITH THIS PROJECT. NONE OF SUCH IDEAS, DESIGN ARRANGEMENTS, OR PLANS SHALL BE USED BY, OR DISCLOSED TO ANY PERSON, FIRM, OR CORPORATION FOR ANY PURPOSE WHATSOEVER WITHOUT THE WRITTEN PERMISSION OF CARRIER JOHNSON. FILING THESE DRAWINGS OR SPECIFICATIONS WITH ANY PUBLIC AGENCY IS NOT A PUBLICATION OF SAME. NO COPYING, REPRODUCTION OR USE THEREOF IS PERMISSIBLE WITHOUT THE CONSENT OF CARRIER JOHNSON.



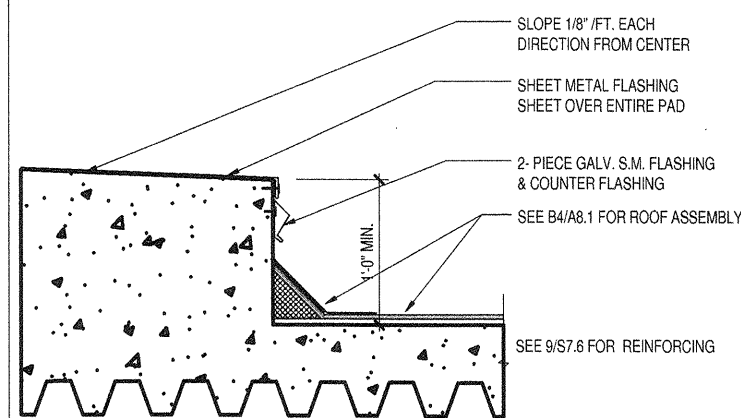
ROOF TYPE TRANSITIONS **B1**



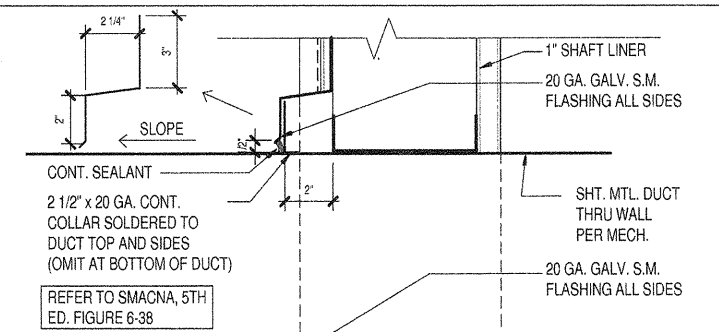
ROOF RECEPTOR **A2**



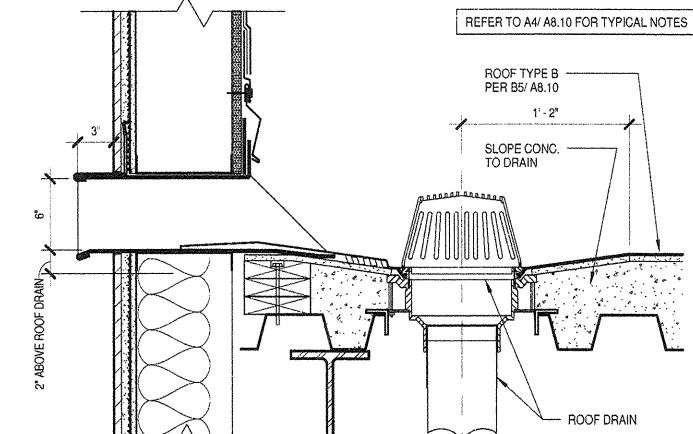
EQUIPMENT SUPPORT **A3**



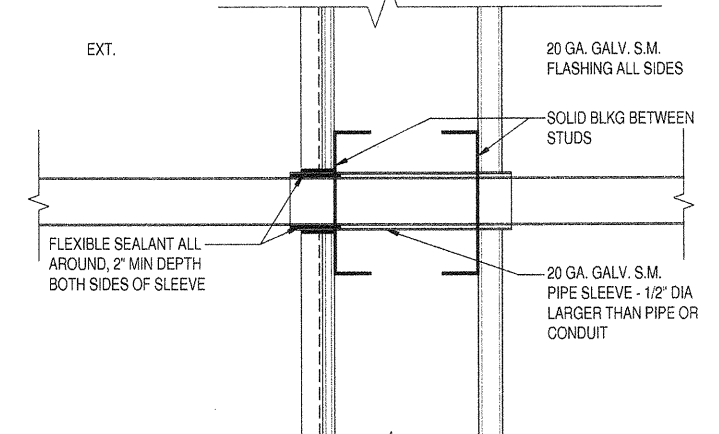
EQUIPMENT PAD **A4**



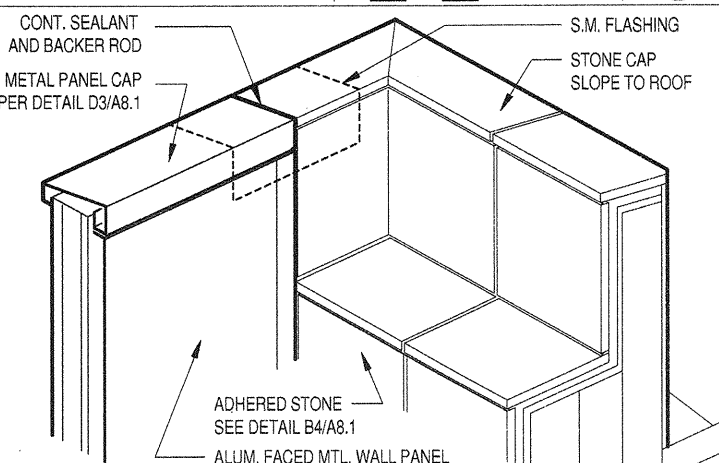
DUCT THRU WALL **A5**



ROOF DRAIN AND SCUPPER @ ROOF TYPE B **B4**



PIPING THRU WALL **B5**



ROOF DETAIL - PARAPET INTERSECTION **C5**

carrierjohnson
architecture for urban environments
1301 third avenue san diego ca 92101
phone 619.238.2333 | fax 619.238.6227

ADMINISTRATIVE OFFICE
OF THE COURTS
OFFICE OF COURT CONSTRUCTION
AND MANAGEMENT

**COURT OF APPEAL
FOURTH APPELLATE DISTRICT
DIVISION THREE**
601 WEST SANTA ANA BOULEVARD
SANTA ANA, CA

07-16-07 FOR CONSTRUCTION
ISSUES:



William C. Johnson

PROJECT NO:
4610.10
FILE NAME:
P:\4610.10\Revit\4610_central.rvt
DRAWN BY: CHECKED BY:
PLOT DATE:

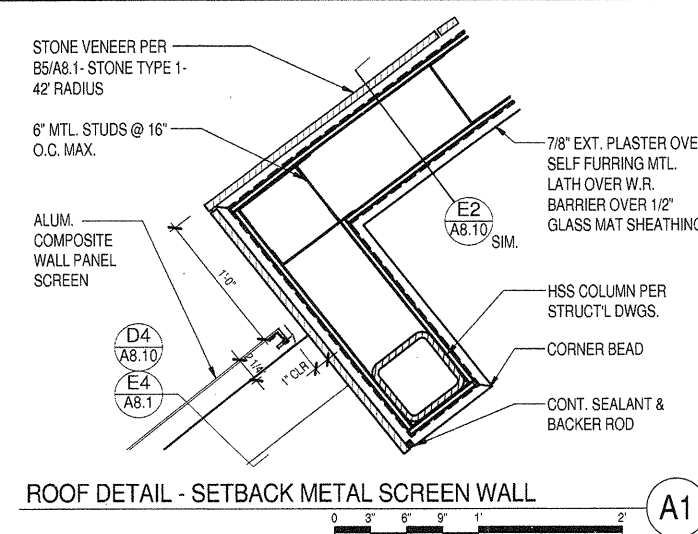
TITLE:

ROOF DETAILS

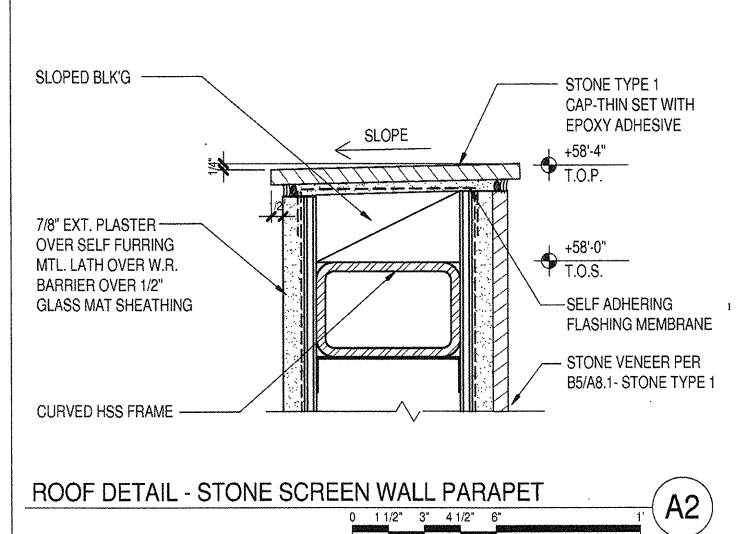
DRAWING NO:

A8.9

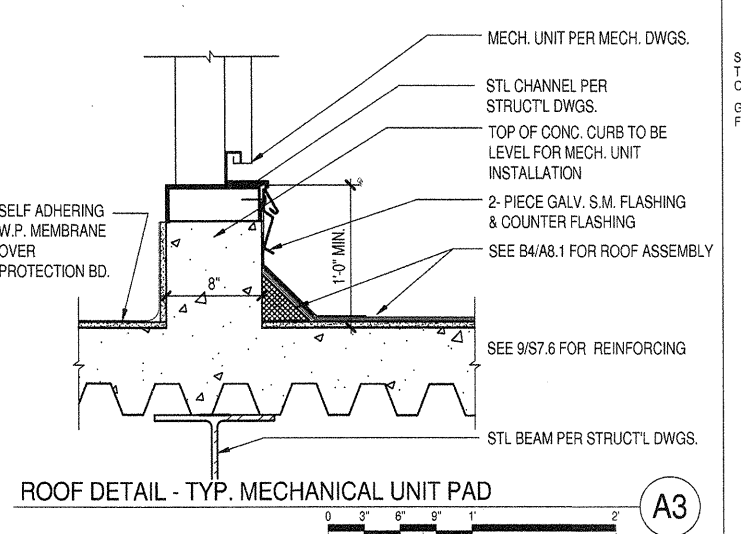
ALL IDEAS, DESIGN, ARRANGEMENTS AND PLANS INDICATED OR REPRESENTED BY THIS DRAWING ARE OWNED BY, AND THE PROPERTY OF, CARRIER JOHNSON AND WERE CREATED, EVOLVED AND DEVELOPED FOR USE ON, AND IN CONNECTION WITH THIS PROJECT. NONE OF SUCH IDEAS, DESIGN, ARRANGEMENTS, OR PLANS SHALL BE USED BY, OR DISCLOSED TO ANY PERSON, FIRM, OR CORPORATION FOR ANY PURPOSE WHATSOEVER WITHOUT THE WRITTEN PERMISSION OF CARRIER JOHNSON. FILING THESE DRAWINGS WITH ANY PUBLIC AGENCY IS NOT A PUBLICATION OF SAME. NO COPYING, REPRODUCTION OR USE THEREOF IS PERMISSIBLE WITHOUT THE CONSENT OF CARRIER JOHNSON.



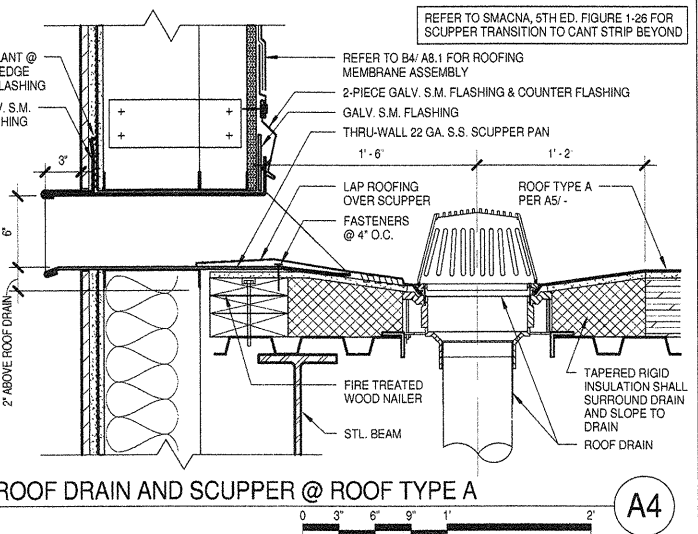
ROOF DETAIL - SETBACK METAL SCREEN WALL (A1)



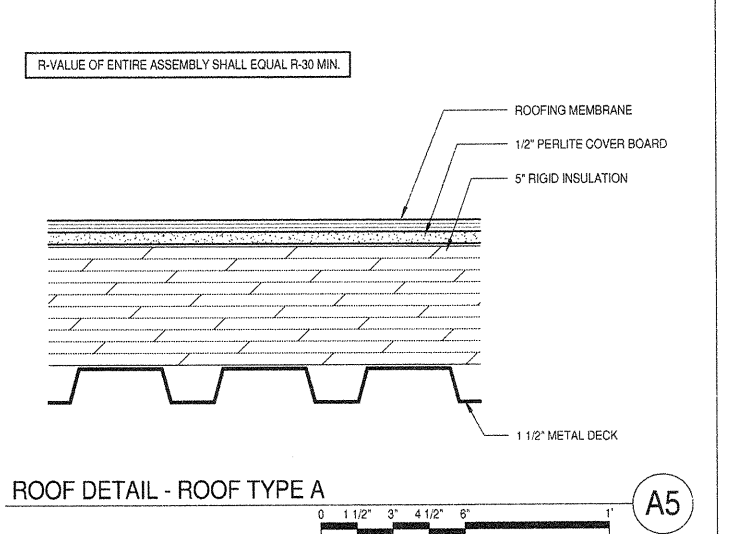
ROOF DETAIL - STONE SCREEN WALL PARAPET (A2)



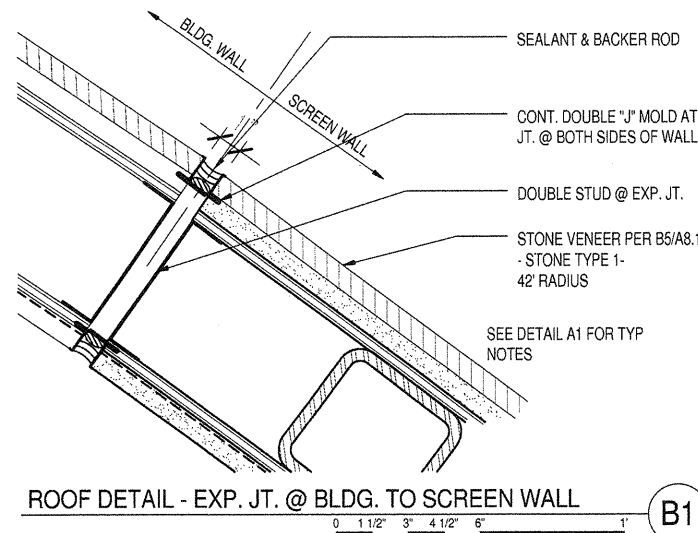
ROOF DETAIL - TYP. MECHANICAL UNIT PAD (A3)



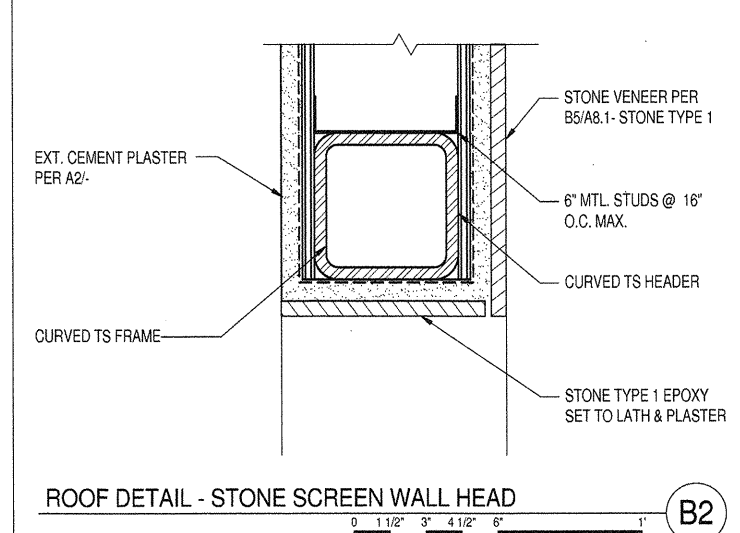
ROOF DRAIN AND SCUPPER @ ROOF TYPE A (A4)



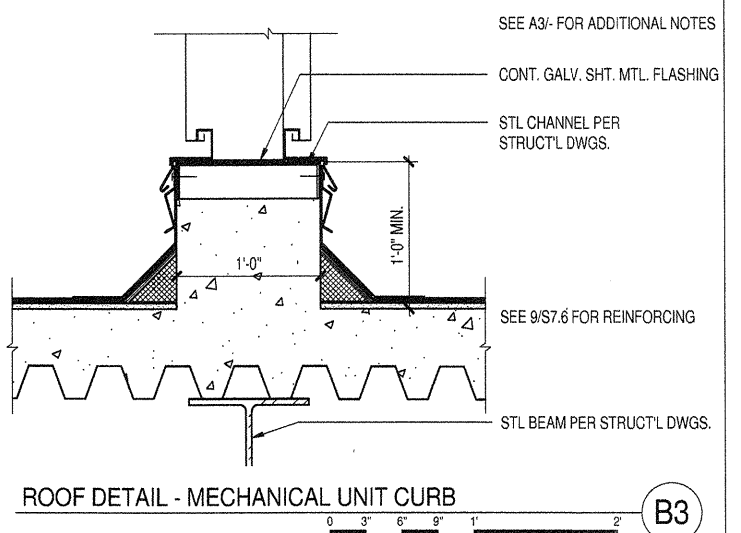
ROOF DETAIL - ROOF TYPE A (A5)



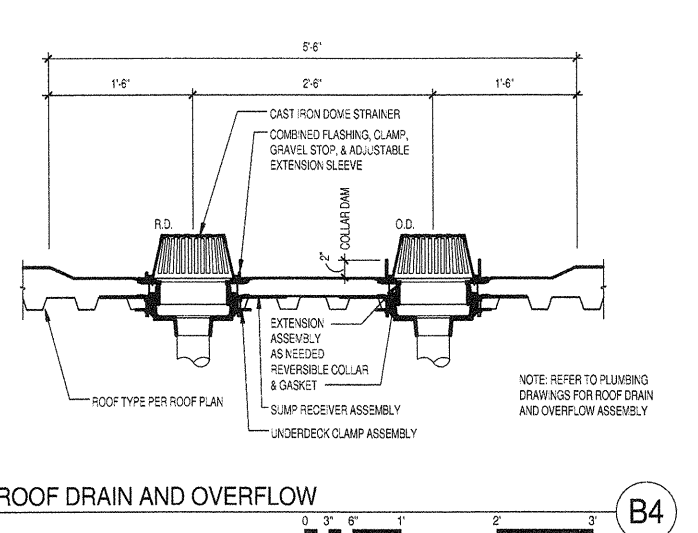
ROOF DETAIL - EXP. JT. @ BLDG. TO SCREEN WALL (B1)



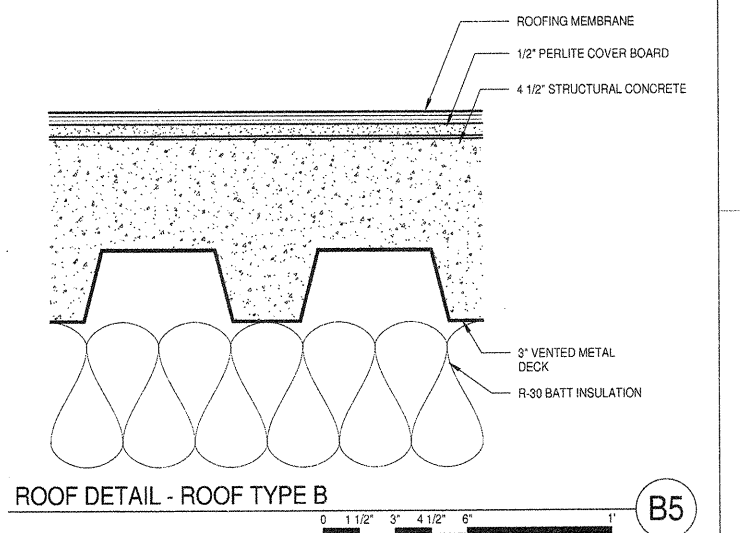
ROOF DETAIL - STONE SCREEN WALL HEAD (B2)



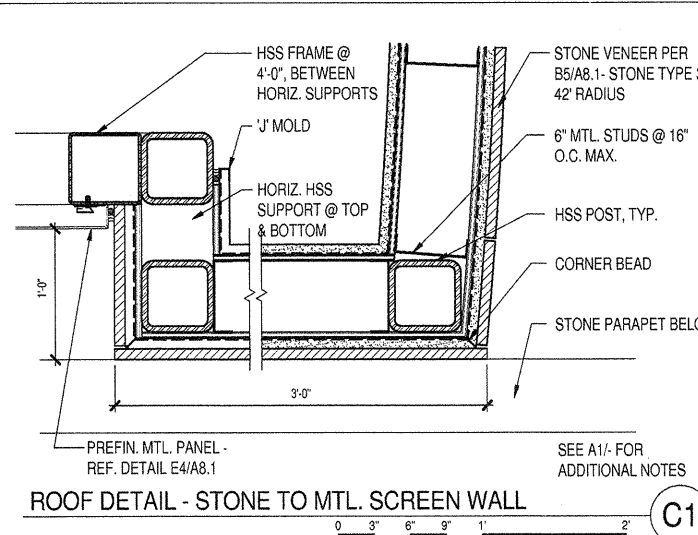
ROOF DETAIL - MECHANICAL UNIT CURB (B3)



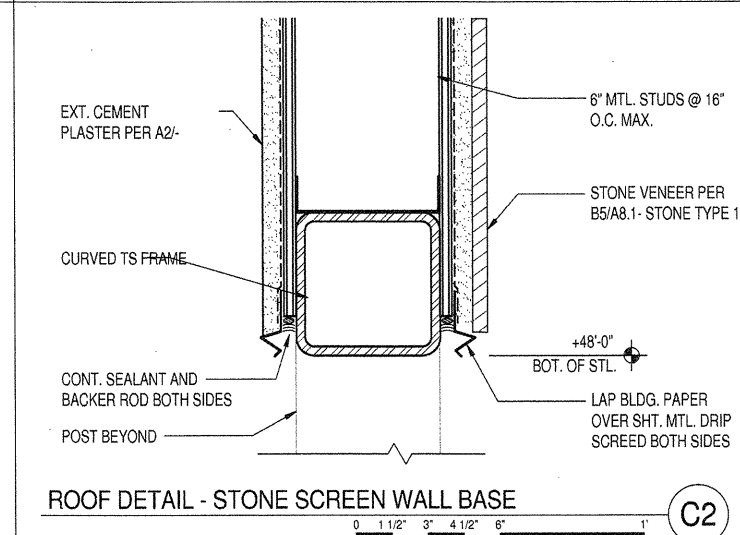
ROOF DRAIN AND OVERFLOW (B4)



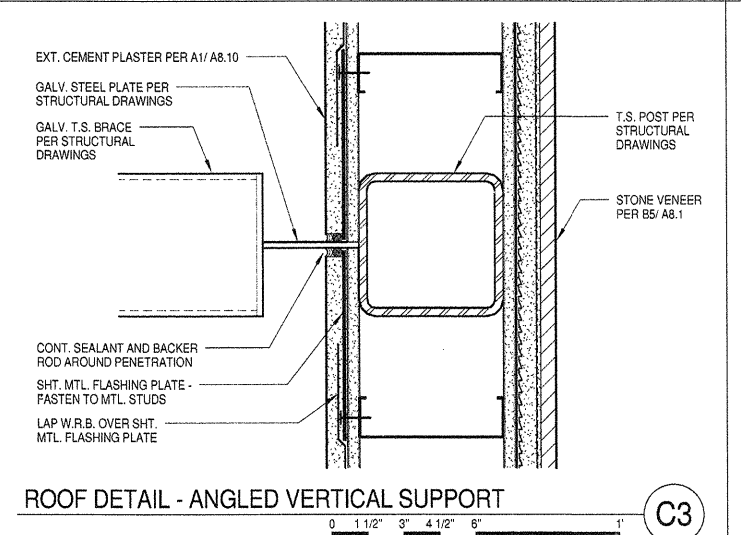
ROOF DETAIL - ROOF TYPE B (B5)



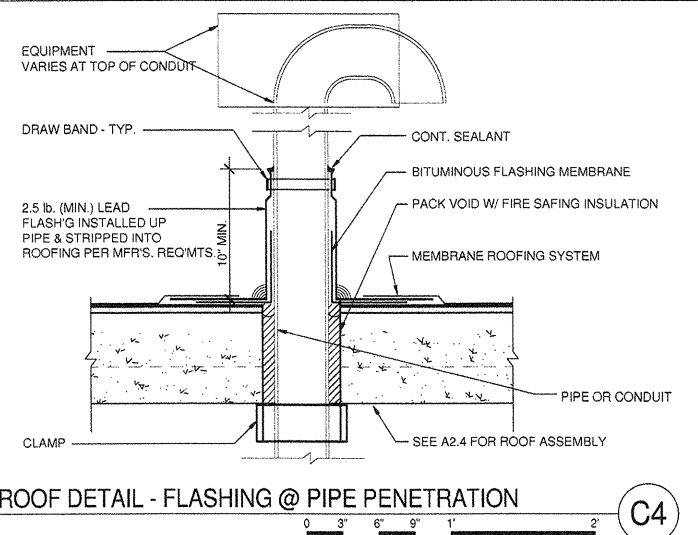
ROOF DETAIL - STONE TO MTL. SCREEN WALL (C1)



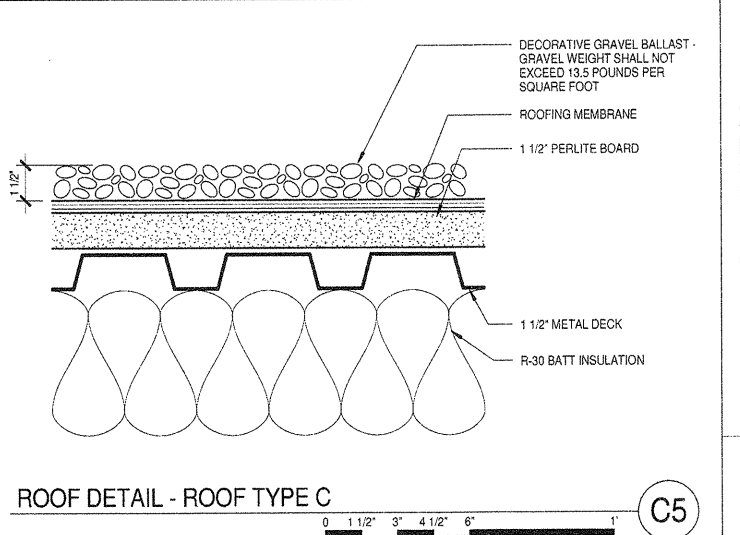
ROOF DETAIL - STONE SCREEN WALL BASE (C2)



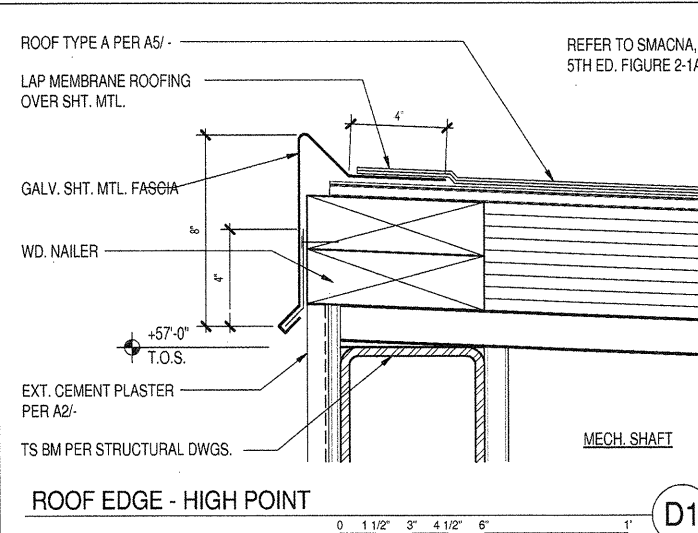
ROOF DETAIL - ANGLED VERTICAL SUPPORT (C3)



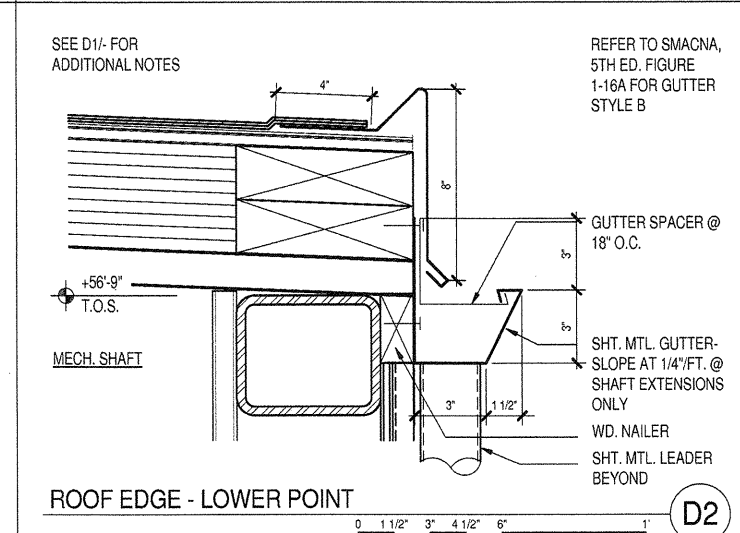
ROOF DETAIL - FLASHING @ PIPE PENETRATION (C4)



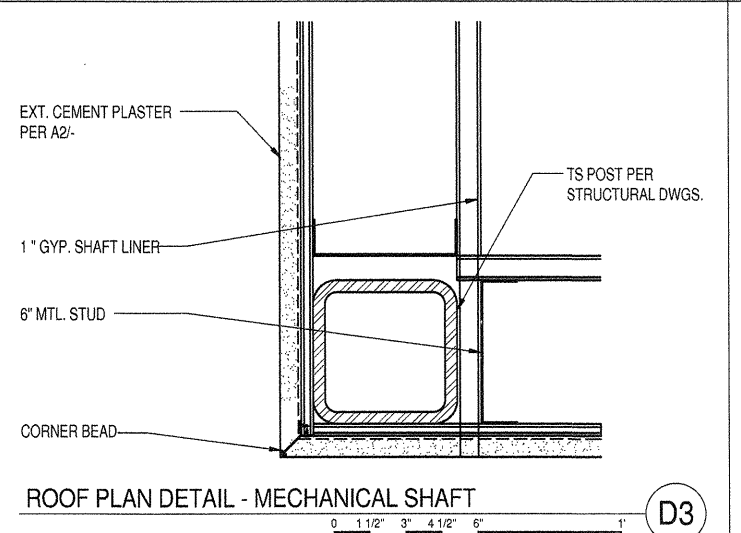
ROOF DETAIL - ROOF TYPE C (C5)



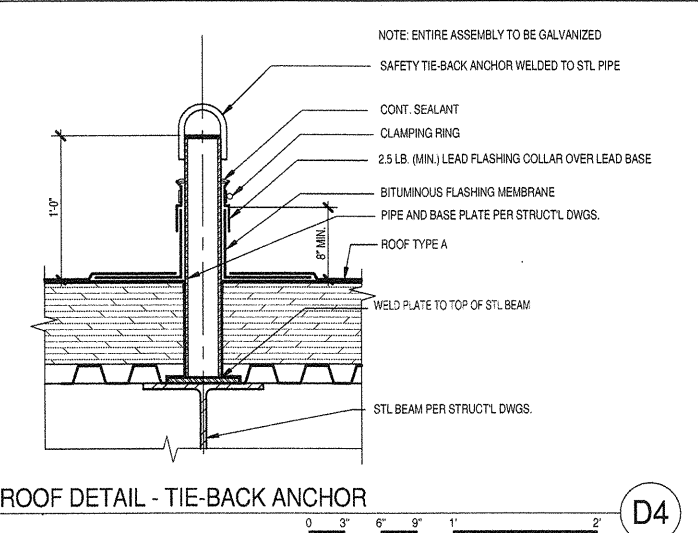
ROOF EDGE - HIGH POINT (D1)



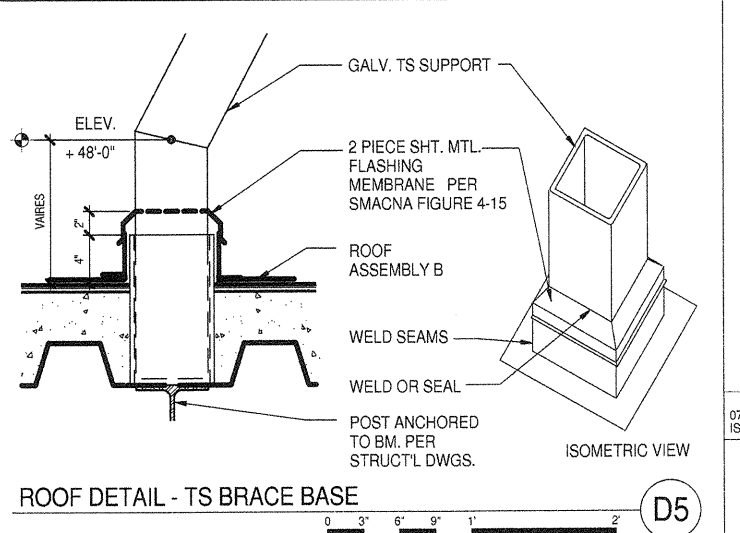
ROOF EDGE - LOWER POINT (D2)



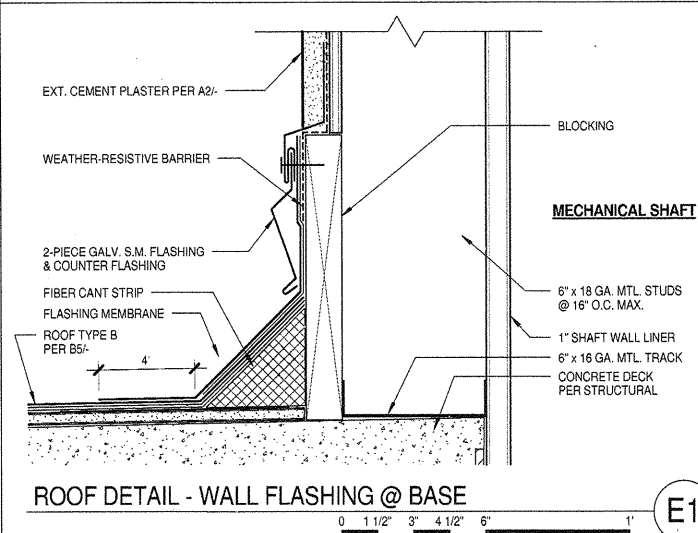
ROOF PLAN DETAIL - MECHANICAL SHAFT (D3)



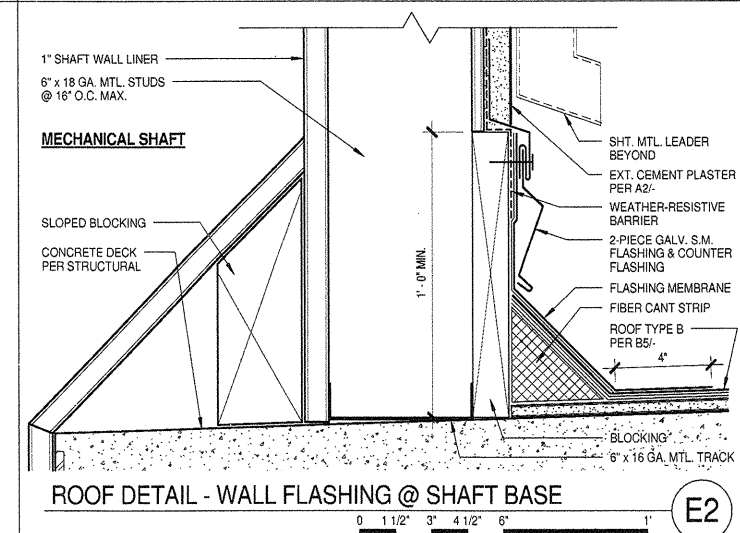
ROOF DETAIL - TIE-BACK ANCHOR (D4)



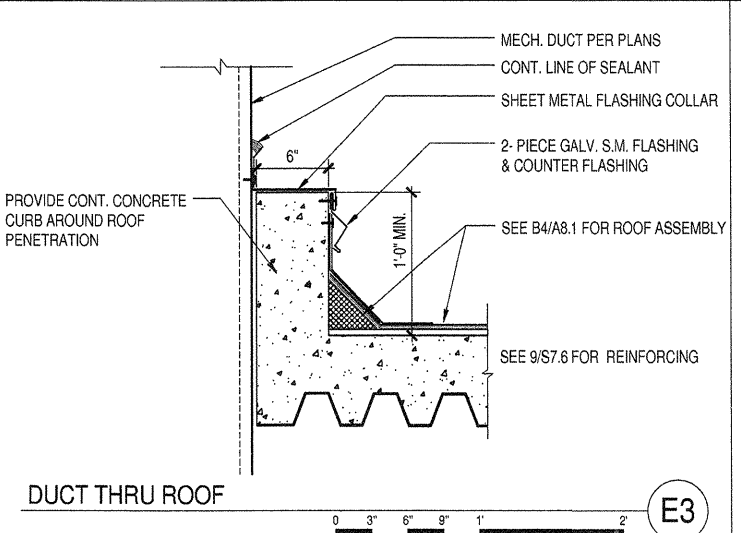
ROOF DETAIL - TS BRACE BASE (D5)



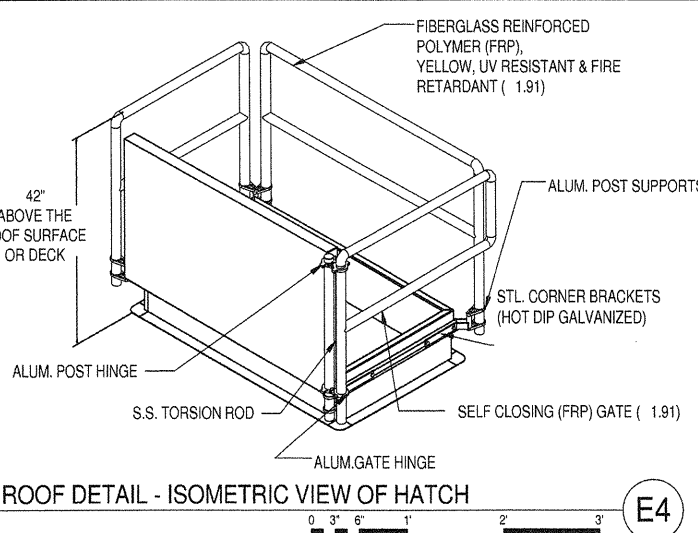
ROOF DETAIL - WALL FLASHING @ BASE (E1)



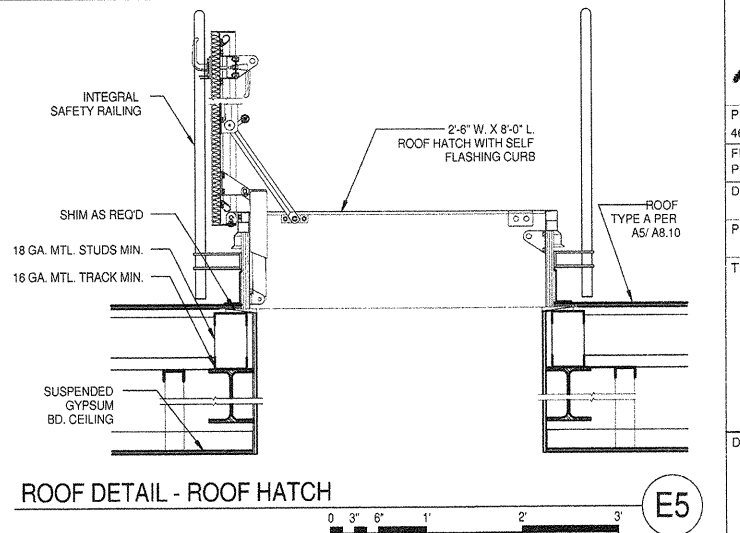
ROOF DETAIL - WALL FLASHING @ SHAFT BASE (E2)



DUCT THRU ROOF (E3)



ROOF DETAIL - ISOMETRIC VIEW OF HATCH (E4)



ROOF DETAIL - ROOF HATCH (E5)

carrierjohnson
architecture for urban environments
1301 third avenue san diego ca 92101
phone 619.239.2353 | fax 619.239.6227

**COURT OF APPEAL
FOURTH APPELLATE DISTRICT
DIVISION THREE**
601 WEST SANTA ANA BOULEVARD
SANTA ANA, CA

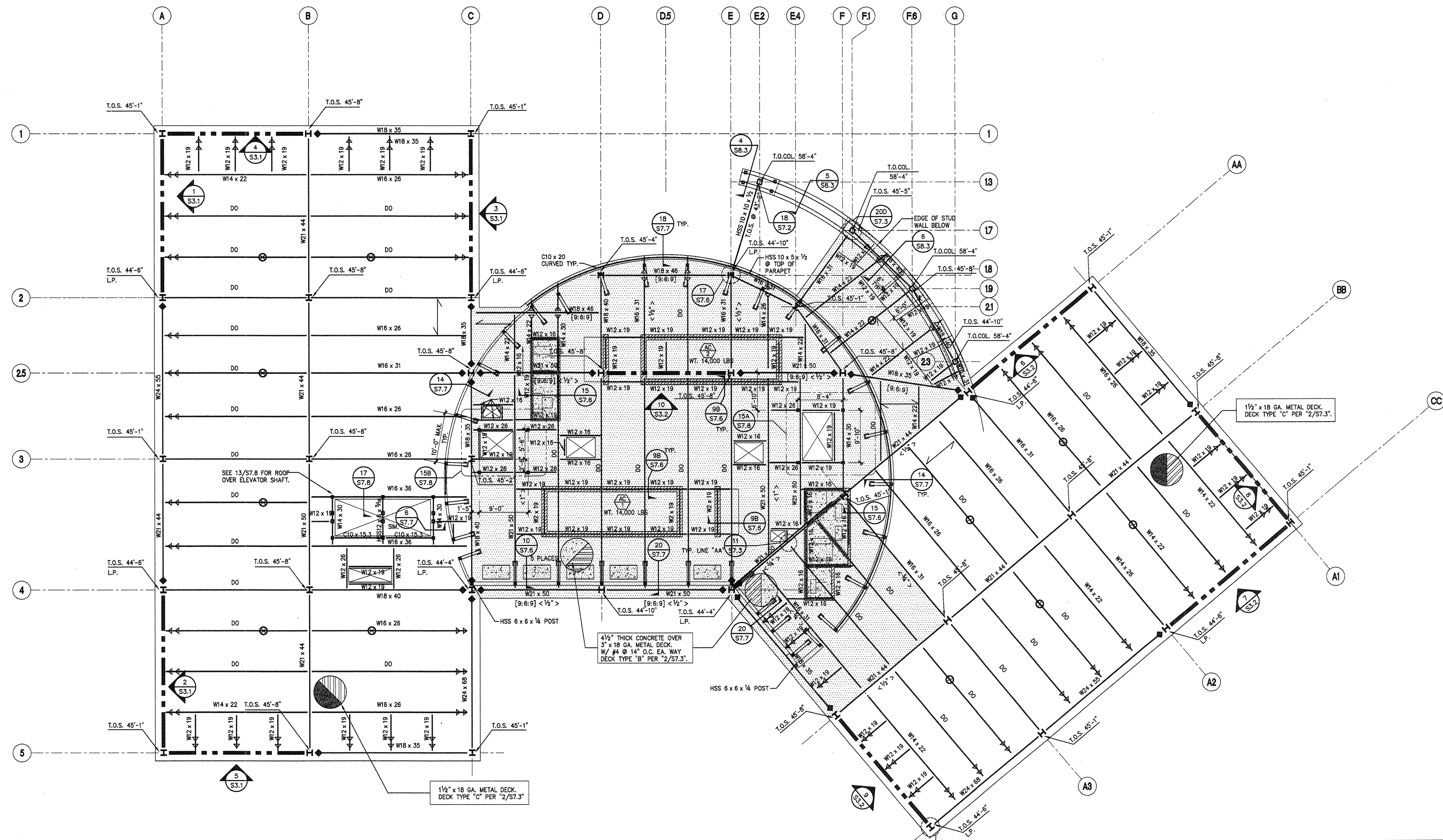
ADMINISTRATIVE OFFICE
OF THE COURTS
CONSTRUCTION
SANTA ANA, CALIFORNIA

7/16/07 FOR CONSTRUCTION
ISSUES:

REGISTERED ARCHITECT
STATE OF CALIFORNIA
No. 0-2887
EXPIRES FEB 28

PROJECT NO:
4610.10
FILE NAME:
P-4610.10/Rvt/4610_central.rvt
DRAWN BY: CHECKED BY:
PLOT DATE:
TITLE:
ROOF DETAILS
DRAWING NO:
A8.10

ALL IDEAS, DESIGN, ARRANGEMENTS AND PLANS INDICATED OR REPRESENTED BY THIS DRAWING ARE OWNED BY AND IN CONNECTION WITH THIS PROJECT. NO PART OF THIS DRAWING OR ANY INFORMATION CONTAINED HEREIN IS TO BE REPRODUCED OR TRANSMITTED IN ANY FORM OR BY ANY MEANS, ELECTRONIC OR MECHANICAL, INCLUDING PHOTOCOPYING, RECORDING, OR BY ANY INFORMATION STORAGE AND RETRIEVAL SYSTEM, WITHOUT THE WRITTEN PERMISSION OF THE ARCHITECT. ANY REUSE OF THIS DRAWING OR ANY INFORMATION CONTAINED HEREIN IS AT THE USER'S SOLE RISK AND WITHOUT LIABILITY TO THE ARCHITECT.



ROOF FRAMING PLAN

- FRAMING NOTES:**
- FOR GENERAL NOTES SEE SHEET "S4.1"
 - FOR DIMENSIONS NOT SHOWN, SEE ARCHITECTURAL DRAWINGS.
 - ELEVATION OF TOP OF STEEL BEAMS AT ROOF LEVEL VARIES.
 - TOP OF STEEL INDICATED THUS: $\frac{T.O.S.}{EL. +X'-X''}$
 - ELEVATIONS SHOWN ARE RELATIVE TO FIRST FLOOR TOP OF SLAB DATUM ELEVATION OF 0'-0".
 - INDICATES STEEL DECK, CONCRETE FILL AND SPAN DIRECTION. PLACEMENT OF CONCRETE SHALL BE PER 9/S7.3.
 - INDICATES STEEL DECK, AND SPAN DIRECTION.
 - [X] ETC. INDICATES QUANTITY OF $\frac{3}{8}$ " WELDED HEADED STUDS AT TOP FLANGE OF BEAM PER DETAIL "10/S7.3". ALL BEAMS AND GIRDERS WHICH ARE COVERED BY STEEL DECK AND CONCRETE FILL SHALL HAVE $\frac{3}{8}$ " x 6" LONG WELDED HEADED STUDS WITH A MAXIMUM SPACING OF 12" ON CENTER UNLESS OTHERWISE NOTED. SEE TYPICAL STUD DETAIL "5/S7.3".
 - INDICATES BRACED FRAMES, PER ELEVATIONS SHEET "S3.1" AND "S3.2".
 - INDICATES WELDED COLLECTOR BEAM CONNECTION PER DETAIL "17/S7.2".
 - INDICATES MOMENT CONNECTION AT INTERSECTING SUPPORT BEAM PER DETAIL "14/S7.2".
 - INDICATES MOMENT CONNECTION AT TYPICAL GRAVITY COLUMN PER DETAIL "4/S7.2 & 12/S7.2".
 - FOR TYPICAL BEAM TO COLUMN CONNECTION AND BEAM TO BEAM CONNECTION SEE DETAIL "10/S7.2".
 - FOR TYPICAL BEAM PENETRATIONS, SEE DETAIL "20/S7.2".
 - FOR TYPICAL STEEL DECK AND SLAB PENETRATIONS WHERE NOT SPECIFICALLY NOTED ON PLAN, SEE DETAILS "3/S7.3, 4/S7.3, 7/S7.3 AND 8/S7.3".
 - FOR TYPICAL STEEL DECK SUPPORT AT COLUMNS SEE DETAILS "20/S7.3" UNLESS NOTED OTHERWISE.
 - BEAMS SHALL BE EQUALLY SPACED BETWEEN COLUMNS UNLESS NOTED OTHERWISE.
 - <X> INDICATES BEAM CAMBER IN INCHES AT MID-SPAN.
 - FOR TYPICAL DETAILS AT EXTERIOR AND INTERIOR EDGES OF DECK REFER TO TYPICAL DETAILS SHEET "S7.3" U.N.O.
 - SEE DETAIL 8/S7.7 FOR PARTIAL PLAN OF TYPICAL FRAMING AT BASE OF ROOF SCREEN SUPPORT COLUMNS.
 - FOR EXTERIOR LIGHT GAUGE STEEL FRAMING TYPICAL DETAILS SEE SHEET "S8.1".
 - INDICATES STEEL DECK SPAN DIRECTION WHERE DIFFERENT TO TYPICAL SPAN DIRECTION.
 - INDICATES DIAGONAL BRACE FROM BOTTOM FLANGE OF BEAM TO TOP FLANGE OF ADJACENT BEAM PER "7/S7.6".
 - INDICATES TS COLUMN BELOW.
 - INDICATES TS COLUMN CONTINUOUS.
 - INDICATES TS COLUMN ABOVE.
 - INDICATES FULL HEIGHT STIFFENERS PER 19A/S7.2.
 - INDICATES CONCRETE CURB FOR MECHANICAL EQUIPMENT, FOR CURB AND MECHANICAL EQUIPMENT PADS SEE DETAILS "9/S7.6 AND 10/S7.6" REFER TO ARCH. AND MECHANICAL DRAWINGS FOR SIZE AND LOCATION.
 - INDICATES RAISED CURBS OR SLAB PAD. SEE ARCH PLANS FOR DIMENSIONS. SEE DETAIL "10/S7.6" AND "15/S7.6".
 - INDICATES SAFETY TIE BACK ANCHOR PER DETAILS "13/S7.6" AND "14/S7.6" U.N.O.

07-16-07 FOR CONSTRUCTION ISSUES.

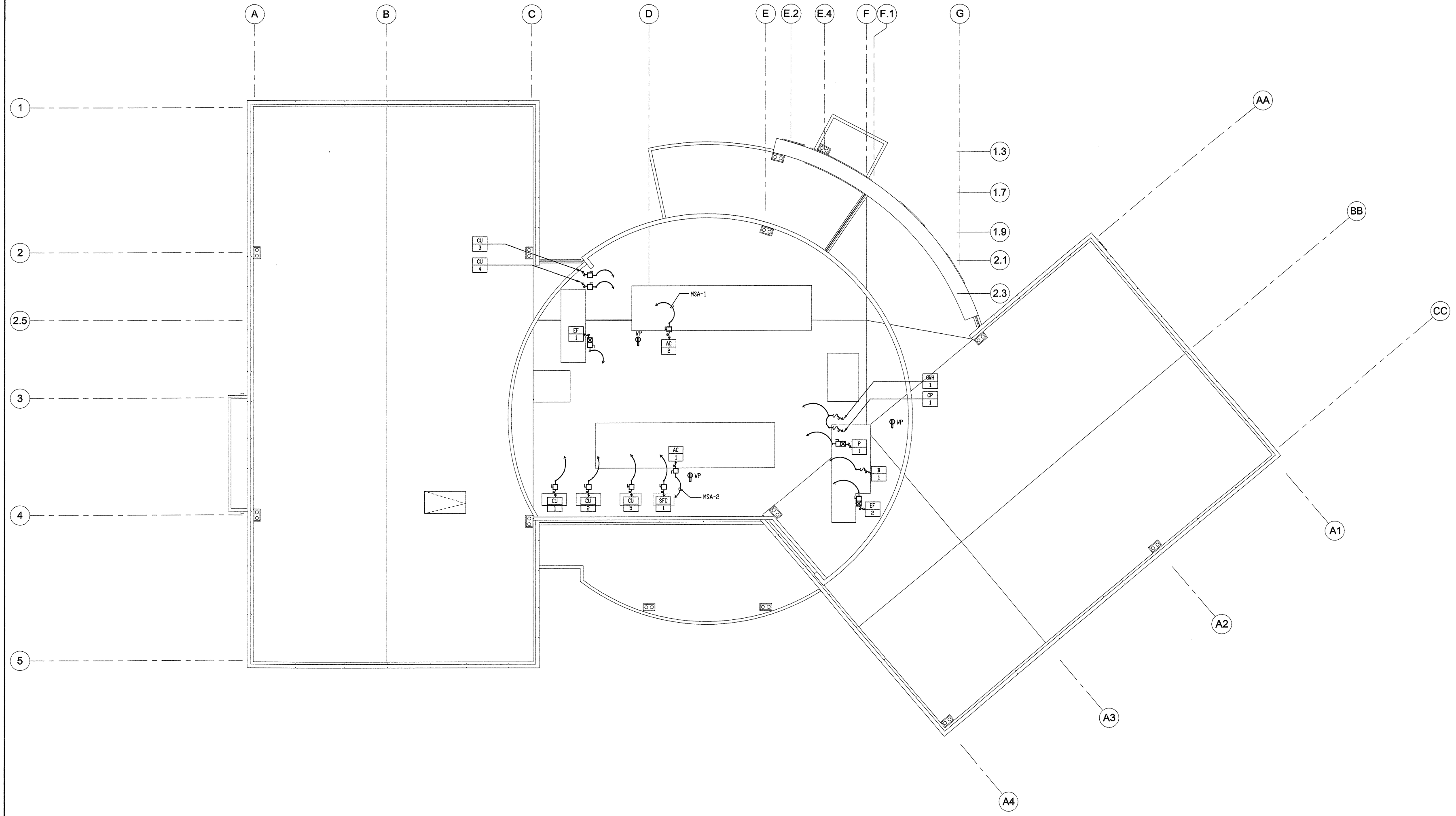
PROJECT NO:
FILE NAME:
DRAWN BY: CHECKED BY:
PLOT DATE:
TITLE:
ROOF FRAMING PLAN
DRAWING NO:
S2.4

carrierjohnson
Architecture for urban environments
1301 Third Avenue San Diego CA 92101
phone 619.236.2353 | fax 619.236.6227

RSSE
STRUCTURAL ENGINEERS
RSSE
2702 Towne Centre Dr.
Bellaire 375
Houston, TX 77408
409.861.0007 / 409.643.2008 FAX

**COURT OF APPEAL
FOURTH APPELLATE DISTRICT
DIVISION THREE**
601 WEST SANTA ANA BOULEVARD
SANTA ANA, CA
ADMINISTRATIVE OFFICE
OF THE COURTS
OF THE STATE OF CALIFORNIA
JUDICIAL BRANCH
AND MANAGEMENT

ALL IDEAS, DESIGN ARRANGEMENTS AND PLANS INDICATED OR REPRESENTED BY THIS DRAWING ARE OWNED BY AND THE PROPERTY OF CARRIER JOHNSON AND WERE CREATED, DEVELOPED AND DELIVERED FOR USE ON, AND IN CONNECTION WITH THIS PROJECT. NONE OF SUCH IDEAS, DESIGN ARRANGEMENTS, OR PLANS SHALL BE USED BY, OR DISCLOSED TO ANY PERSON, FIRM, OR CORPORATION FOR ANY PURPOSE WHATSOEVER WITHOUT THE WRITTEN PERMISSION OF CARRIER JOHNSON. FILING THESE DRAWINGS OR SPECIFICATIONS WITH ANY PUBLIC AGENCY IS NOT A PUBLICATION OF SAME. NO COPYING, REPRODUCTION OR USE THEREOF IS PERMISSIBLE WITHOUT THE CONSENT OF CARRIER JOHNSON.



Carrier Johnson
1301 Third Avenue, Suite 200
San Diego, CA 92101
Phone: 619.239.2353
Fax: 619.239.6227
www.carrierjohnson.com

ROOF ELECTRICAL PLAN

SCALE
1/8" = 1'-0"

A

ROOF ELECTRICAL PLAN

DRAWING NO:

E3.4

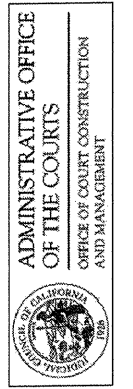
TITLE:

PLOT DATE:
2-08-07

FILE NAME:
E3_4_505001

PROJECT NO:

02-09-07 60% CD SUBMITTAL
ISSUES:

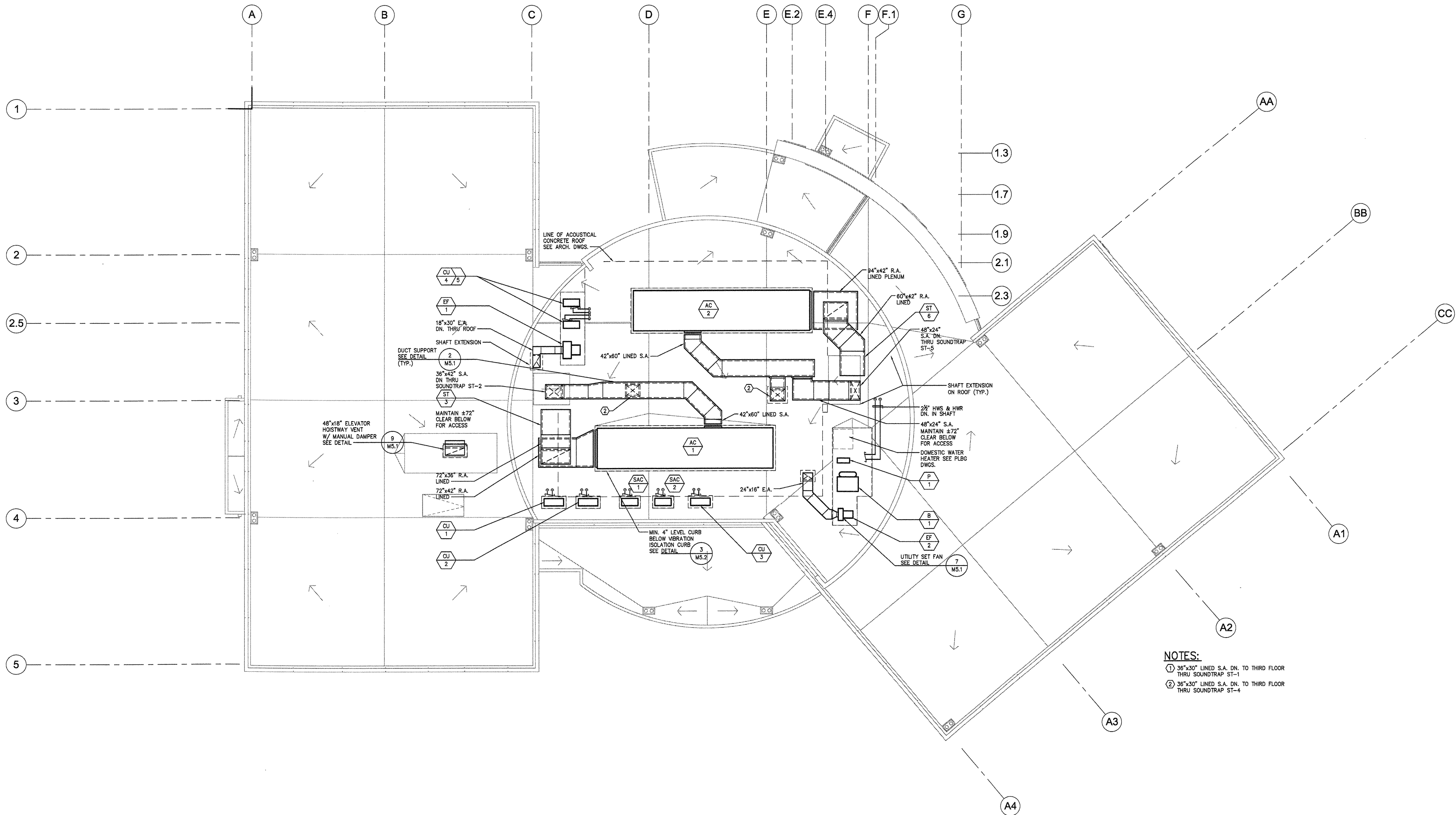


COURT OF APPEAL
FOURTH APPELLATE DISTRICT
DIVISION THREE
SANTA ANA, CA

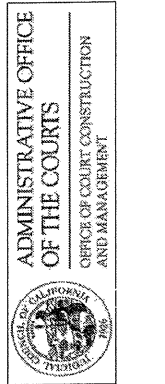


carrierjohnson
architecture for urban environments
1301 third avenue san diego ca 92101
phone 619.239.2353 | fax 619.239.6227

ALL IDEAS, DESIGN ARRANGEMENTS AND PLANS INDICATED OR REPRESENTED BY THIS DRAWING ARE OWNED BY, AND THE PROPERTY OF, CARRIER JOHNSON AND WERE CREATED, EVOLVED AND DEVELOPED FOR USE ON, AND IN CONNECTION WITH THIS PROJECT. NONE OF SUCH IDEAS, DESIGN ARRANGEMENTS OR PLANS ARE TO BE REPRODUCED OR COPIED FOR ANY PURPOSE WHATSOEVER WITHOUT THE WRITTEN PERMISSION OF CARRIER JOHNSON. FILING THESE DRAWINGS OR SPECIFICATIONS WITH ANY PUBLIC AGENCY IS NOT A PUBLICATION OF SAME. NO COPYING, REPRODUCTION OR USE THEREOF IS PERMISSIBLE WITHOUT THE CONSENT OF CARRIER JOHNSON.



- NOTES:**
- ① 36"x30" LINED S.A. DN. TO THIRD FLOOR THRU SOUNDTRAP ST-1
 - ② 36"x30" LINED S.A. DN. TO THIRD FLOOR THRU SOUNDTRAP ST-4

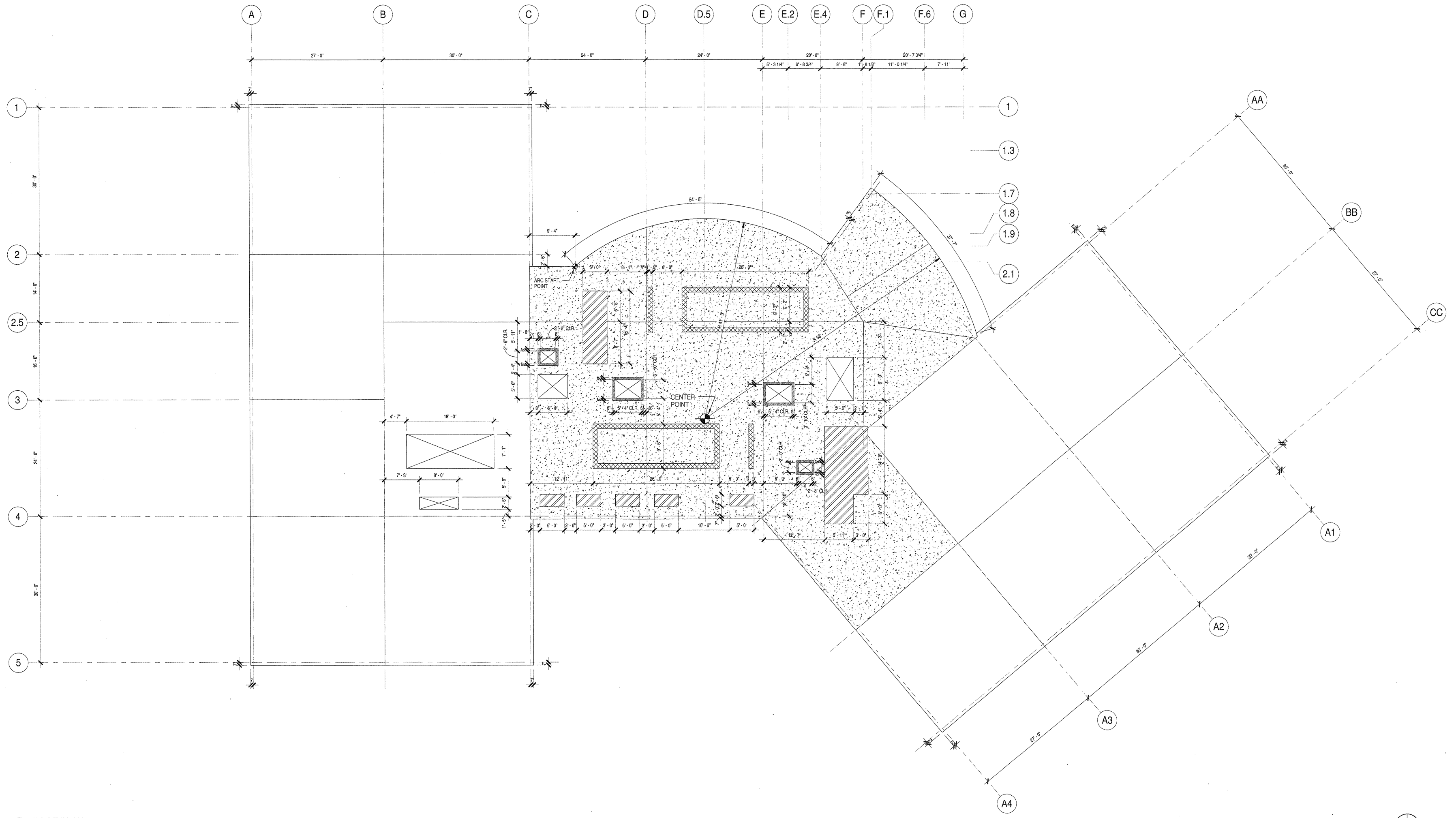


11-03-06 FINAL DD DOCUMENTS
 10-03-06 85% DD SUBMITTAL
 08-24-06 50% DD SUBMITTAL
 ISSUES:

PROJECT NO: _____
 DRAWINGS: _____
 FILENAME: _____
 DRAWN BY: _____ CHECKED BY: _____
 PLOT DATE: 2-09-07
 TITLE: _____

ROOF PLAN

ALL IDEAS, DESIGN, ARRANGEMENTS AND PLANS INDICATED OR REPRESENTED BY THIS DRAWING ARE OWNED BY, AND THE PROPERTY OF CARRIER JOHNSON AND WERE CREATED, EVOLVED AND DEVELOPED FOR USE ON, AND IN CONNECTION WITH THIS PROJECT. NONE OF SUCH IDEAS, DESIGN, ARRANGEMENTS OR PLANS SHALL BE USED BY, OR DISCLOSED TO ANY PERSON, FIRM, OR CORPORATION FOR ANY PURPOSE WHATSOEVER WITHOUT THE WRITTEN PERMISSION OF CARRIER JOHNSON. FILING THESE DRAWINGS OR SPECIFICATIONS WITH ANY PUBLIC AGENCY IS NOT A PUBLICATION OF SAME. NO COPYING, REPRODUCTION OR USE THEREOF IS PERMISSIBLE WITHOUT THE CONSENT OF CARRIER JOHNSON.



1 ROOF PLAN

EDGE OF SLAB PLAN GENERAL NOTES

- ALL DIMENSIONS ARE TO COLUMN GRID LINES OR FACE OF CONCRETE

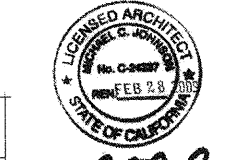
EDGE OF SLAB PLAN LEGEND

- CONCRETE CURB
- CONCRETE SLAB DEPRESSION, REFER TO PLAN FOR DEPRESSION DEPTH

EDGE OF SLAB PLAN KEYNOTES

- LOCATION OF HIGH DENSITY SHELVING - BLOCK OUT DEPRESSIONS IN SLAB FOR GUIDE RAILS. COORDINATE EXACT SPACING, LAYOUT, AND DIMENSIONS PRIOR TO INSTALLING CONCRETE SLAB
- CONCRETE PADS SUPPORTING PLUMBING EQUIPMENT - FINAL DIMENSIONS PER PLUMBING EQUIPMENT REQUIREMENTS
- SLAB DEPRESSION FOR AV FLOOR BOX - SEE AV5.0
- FLOOR DRAIN

07-18-07 FOR CONSTRUCTION ISSUES.



Michael G. Johnson
 PROJECT NO: 4610.10
 FILE NAME: P:\4610.10\Revit\4610_central.rvt
 DRAWN BY: CHECKED BY:
 PLOT DATE:
 TITLE:
ROOF EDGE OF SLAB PLAN
 DRAWING NO:
A2.24